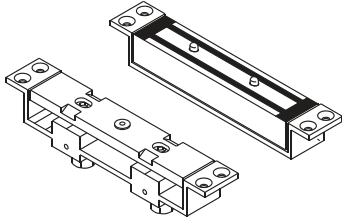


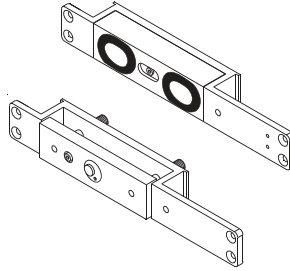


Shear Locks

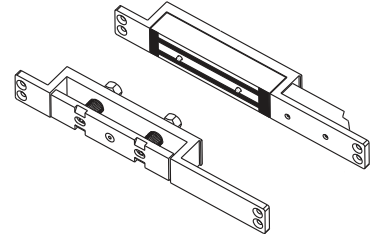
Shear Aligning Electromagnetic Lock
Hidden Strength at Any Angle
with Its Flexible Mounting Options Solutions



GS200



GS705-30/35/35-TD



GS705N-30

Selector Chart

	Horizontal or Vertical	Narrow Frames	Double Swing Door	Bond Sensor Output	Fail-safe	Relock Time Delay	Optional Brackets
GS200 Series	V	V	V	V	V		V
GS705 Series	V	V	V	V	V	V	V



MEC shear locks offer totally concealed mechanism and are designed for applications where the door swings up to a 180 degree. When the shear lock detects the door in the closed position, the magnet “sucks” the armature plate up and traps the armature plate in the lock frame. Generally a 2 -3 mm gap between the top of the door and the frame is optimum for the electromagnet to attract the armature plate and keep the door locked.

The special “locking tabs” on both the magnet and the armature assembly are used for proper lateral alignment and adjustment. The armature screws can be vertically adjusted to compensate for wide door gaps. The optional bond sensor indicates proper armature contact, and eliminates potential lock misalignment before the magnet is permitted to energize.

Standard Features





- Suitable for narrow frames, double swing doors and glass doors
- Fail-safe
- Horizontal or vertical installation
- Optional brackets provided

Patents, Approvals, and Listings

- UL listed: BP9692 (GS200, GS200M)
- CE : EC3D0909-02



Shear Locks Series

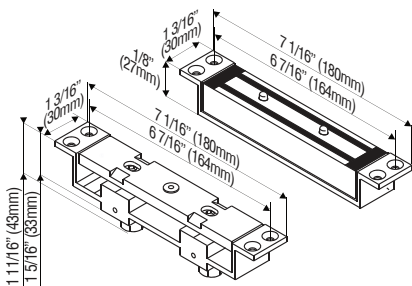
Models	Voltage (VDC)	Holding Force (lbs.)	Relock Time Delay	Door Gap	Mount	Optional Brackets
GS200  	12/24	1200	—	1/16" (2mm)	Mortise Surface	SMB-200
GS705-30 	12 to 24	2000	1~6 sec. (Default 3 sec.)	1/8" (3mm)	Mortise	—
GS705-35 	12 to 24	2200	1~6 sec. (Default 3 sec.)	1/8" (3mm)	Surface Mortise	SMB-001
GS705-35TD 	12 to 24	2200	1~15 sec. (Default 3 sec.)	1/8" (3mm)	Surface Mortise	SMB-001
GS705N-30 	12/24	1200	—	1/16" (2mm)	Mortise	—

Notes:

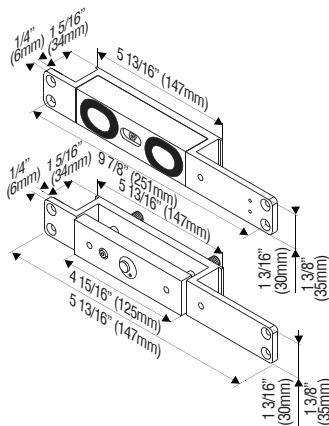
1. All models above are monitored with a bond sensor output. Except GS200 is available with optional bond sensor output.
2. The GS200/705-35/705-35TD includes optional brackets for hollow metal door application. The GS200 comes with optional bracket (SMB-200 + UBK-182) for frameless glass door application.
3. The GS200/705-35/705-35TD is also available with optional bracket for semi-mortise installation.

Shear Locks Dimensions

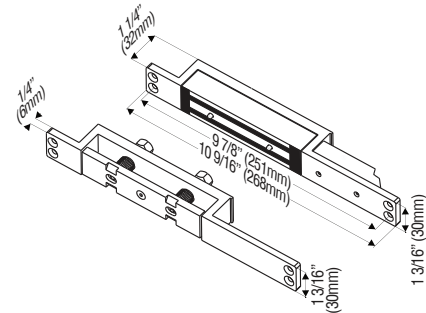
GS200



GS705-30/35/35-TD



GS705N-30



Optional Brackets for Shear Locks

GS200	GS705-35 / 35-TD	
<p>SMB-200 (For hollow metal / frameless glass doors)</p> 	<p>UBK-182(For frameless glass doors)</p> 	<p>SMB-001(For hollow metal doors)</p> 

Glass thickness: 3/8"~1/2" (10~12mm)